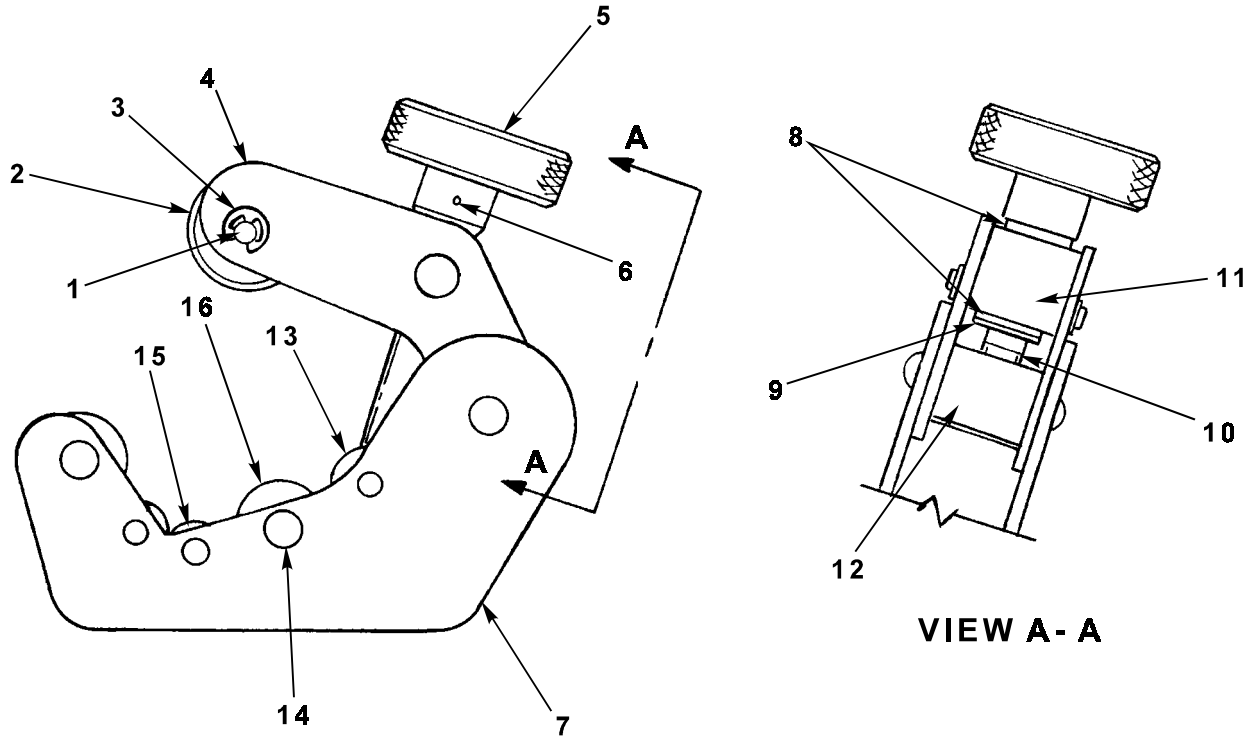


4990 CLOSE QUARTERS CUTTER



Item No.	Part No.	Description	Quantity Required
1	220280	Cutter Pin	1
2	8038	Cutter Wheel	1
3	275812	Retaining Ring	2
4	220271	Cutter Support	2
5	220276	Knob	1
6	275389	Roll Pin (3/32" x 5/8" Lg.)	1
7	220270	Side Plate	2
8	275810	Washer (.320" I.D. x .560" O.D.)	2
9	275811	Klip Ring	1
10	220277	Threaded Shaft	1
11	220282	Block	1
12	220275	Spacer Rivet	1
13	220273	Threaded Block	1
14	220272	Large Roller Pin	2
15	220274	Small Roller	2
16	220278	Large Roller	2