

# CO-Guard

## RESPIRATORY AIR LINE MONITOR

CO-Guard is a compact, easy to install and operate, compressed air line CO monitor. The instrument incorporates a rotameter for confirmation of proper air flow, a backlighted digital display and a highly specific electrochemical carbon monoxide sensor for trouble-free and reliable operation.

CO-Guard is designed for use in a wide variety of applications ranging from automotive, and similar, paint spray operations to wood finishing. This monitor can be used in virtually any commercial or industrial process that requires CO monitoring of compressed breathing air for personnel working in such operations.



### SPECIFICATIONS

<b>Range:</b>	0-50 ppm CO
<b>Alarm Levels:</b>	
Alarm 1:	5 ppm CO, user adjustable
Alarm 2:	10 ppm CO, user adjustable
Alarm 3:	20 ppm CO, user adjustable
<b>Alarm Adjustment:</b>	All three alarms are user adjustable between 3 to 50 ppm
<b>Audible Alarm:</b>	105 dB at 30 cm (12 inches)
<b>Visual Gas Alarm:</b>	3 Red LEDs
<b>Visual Power/Fault:</b>	Green/Red LED
<b>Display:</b>	8 Character, high contrast dot matrix LCD with backlight
<b>Resolution:</b>	1 ppm
<b>Sensor:</b>	Electrochemical
<b>Response Time:</b>	$t_{90} = 30$ sec
<b>Accuracy:</b>	+/- 10% of reading
<b>Temperature Range:</b>	32° to 104° F (0° to +40° C)
<b>Outputs:</b>	
Relays:	4 Form C, 10A SPDT contacts, 3 gas alarms and 1 fault
Analog:	4-20mA
Digital:	RS-485 Modbus
<b>Power:</b>	110 VAC, 220 VAC and/or 24 VDC, 15W
<b>Power Connection:</b>	Supplied with strain relief for 0.20 to 0.35 inch diameter cable
<b>Inlet Air Line</b>	
<b>Connection:</b>	1/4" NPT female
<b>Air Line Sample</b>	
<b>Hose to Monitor:</b>	5 foot length
<b>Inlet Pressure:</b>	60 to 150 psi, air supply lines, 55 psi regulated to monitor
<b>Enclosure:</b>	Polycarbonate
<b>Size, Instrument Only:</b>	7 x 5 x 3 inches (18 x 13 x 8 cm)
<b>Weight,</b>	
<b>Instrument Only:</b>	2 lbs (0.9 kg)

Consult factory for oxygen or other optional instrument configurations.

### Compact Compressed Air Line Carbon Monoxide Monitor/Alarm

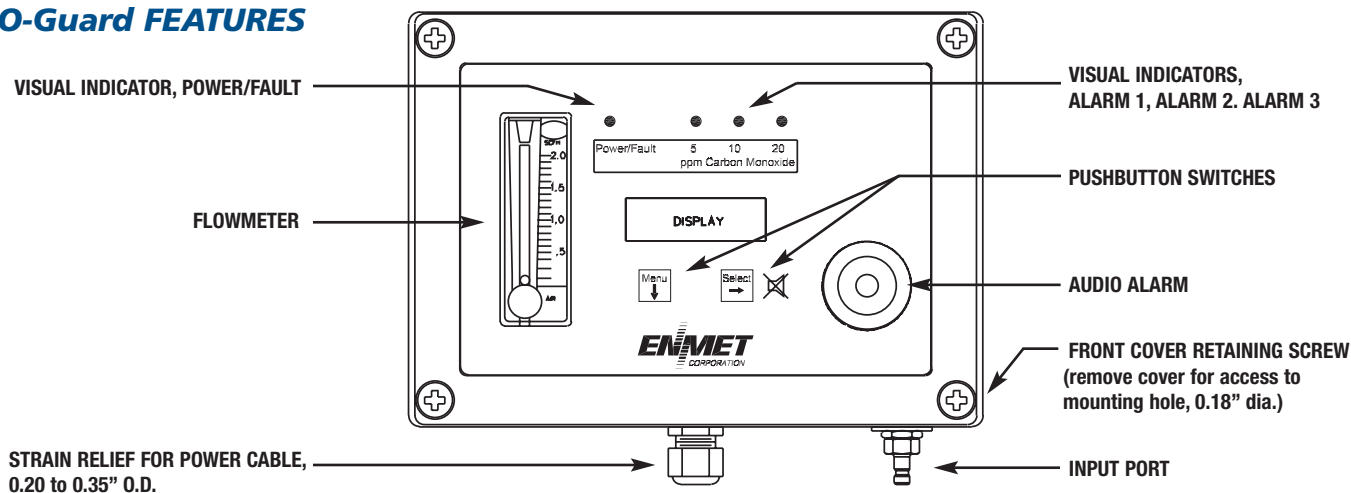
#### FEATURES

- Compact Design
- Digital Display
- User Programmable Alarms & Relays
- 4-20 mA Output
- RS-485 Digital Communication Capability
- 110 VAC, 220 VAC, 24 VDC Power Options
- "Intelli-Cal" Push-button Calibration Procedure
- 3 Levels of Alarms
- Protected Maintenance Functions
- Audio and Visual Alarms
- High Integrity Polycarbonate Enclosure
- High Capacity Relays
- Flow Meter for Confirmation of Airflow



# CO-Guard Compact Compressed Air Line Carbon Monoxide Monitor/Alarm

## EXTERNAL CO-Guard FEATURES



CO-Guard is supplied with a regulator and 5 foot hose for connection to the monitor. Connection from the facility air supply to the regulator is 1/4 inch NPT female.

## ORDERING INFORMATION

Instrument	Part No.
CO-Guard, with regulator & 5 foot hose (NOTE: Power cable not supplied)	03481-005

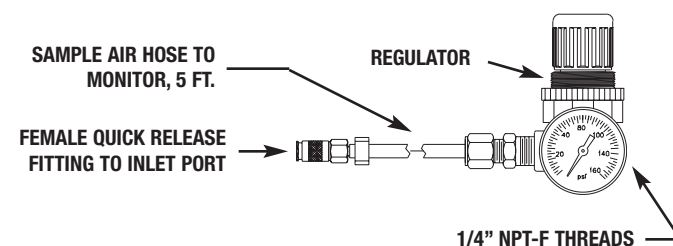
### Calibration Gas & Hardware

Calibration Regulator, for 17 liter, cylinder	03700-500
Calibration Gas, 20 ppm CO, 17 liter	03219-020
Zero Gas, 20.9% O <sub>2</sub> , 17 liter	03296-209
Adapter, Aerosol Cylinder	03700-036
Aerosol Gas, 20 ppm CO, 11 liter, w/bellows assy*	03101-020
Aerosol Gas, 20.9% O <sub>2</sub> , 11 liter, w/bellows assy*	03100-209
Calibration Equipment Case	73083-000

\*NOTE: These aerosol cylinders can ship by ground transportation without a hazmat fee.

## WARNING:

CO-Guard should not be used without an oxygen monitor unless there is complete assurance that inert gas cannot be accidentally injected into the breathing air line.



## OPTIONAL CALIBRATION CYLINDERS & HARDWARE

