

ACO-500-101 DEWPOINT MONITOR TECHNICAL/SUBMITTAL DATA

SENSOR ELEMENT:

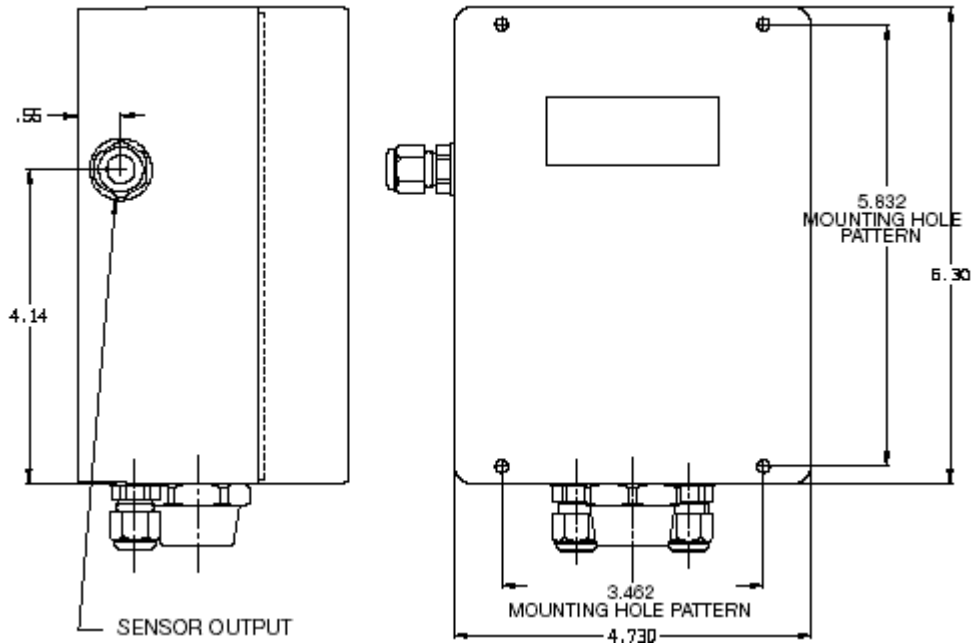
Type:	Hyper Thin Film high capacitance AL2O3
Dew point range:	-85°F to +68°F (-65°C to +20°C)
Accuracy:	±5.5°F (± 3°C)
Repeatability:	±0.9°F (±0.5°C)
Response time*:	For a step change from -40°C to -60°C: *63% in 90 seconds, *90% in 450 seconds
Temperature range:	-22°F to 104°F (-30°C to +50°C)
Storage temperature:	-40°F to +120°F (-40°C to 50°C)



TRANSMITTER:

Sensor type:	High capacitance Al2O3
Indicators:	LCD with backlight, 3.5 digits and custom legends for units and mode, audio alert
Engineering units:	Dewpoint in °F and °C, ppmv, g H2O/m3, lbs H2O/mm scf,
Controls:	4 push buttons, all settings stored in EEPROM
Output options:	4-20mA, 0-24mA or voltage outputs, linear to selected engineering units, programmable span and range, 0.1°C dewpoint resolution. RS-232 , baud rate 9600, resolution 0.1°C dewpoint
Isolation:	Sensor is isolated from the power supply, analog output and RS-232.
Alarm relays option:	Two programmable alarm relays with programmable variable hysteresis, rated at 10A @240V. Failure indication programmable to trigger alarm relays.
Power requirements:	100 - 240 VAC, 50 or 60 Hz
Connections:	Pluggable screw terminal block
Enclosure:	Polycarbonate, Nema 4/4x Dimensions 4.7" x 6.3" x 3.5" (w x h x d)
Temp. Range:	14° to 122°F (-10° to 50°C)
Warranty:	1 year for full workmanship and defective parts.
Optional Features:	Medical Breathing Air Monitoring and Alarm Option, complies with the recommendations of NFPA 99. This option is standard on Powerex Medical Air System, but required for separate field installation.

FRONT/SIDE VIEW



BOTTOM VIEW

